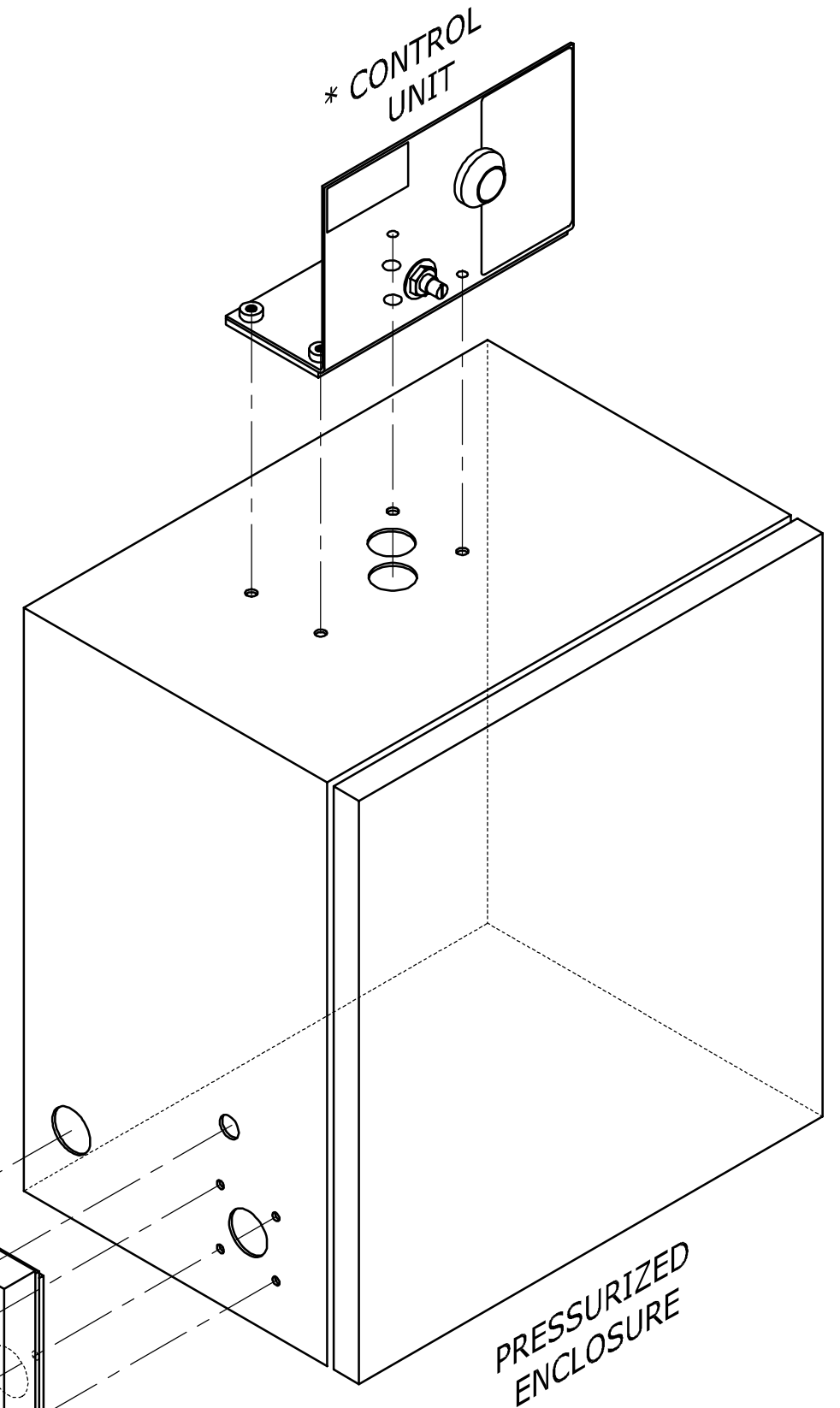
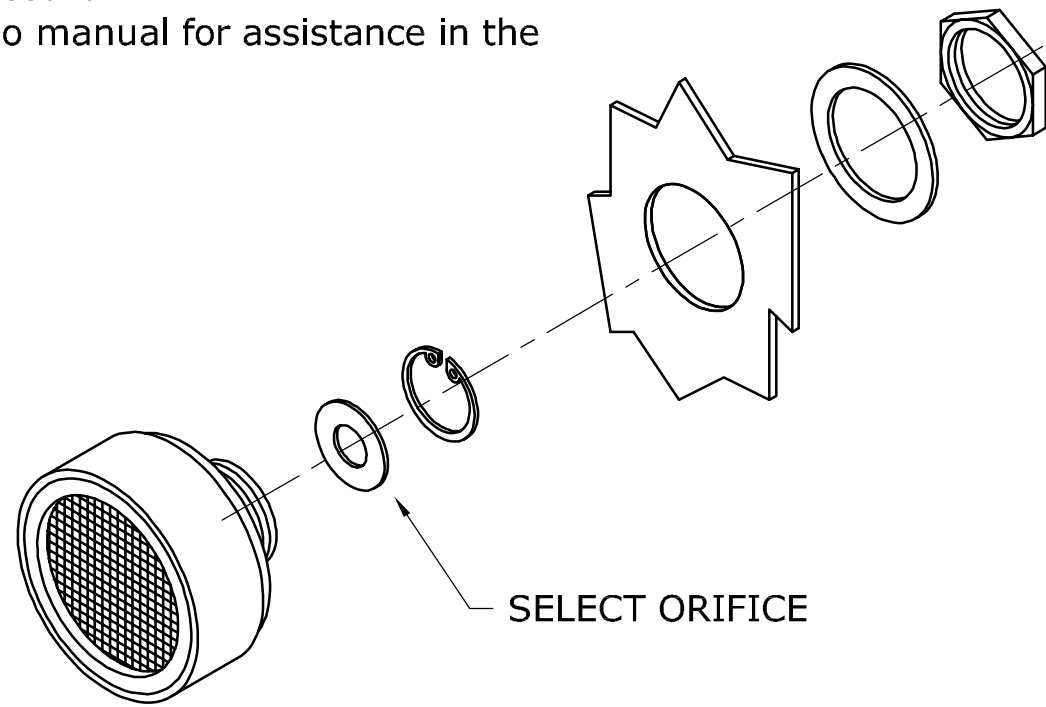


Quick Installation Guide FOR CF:

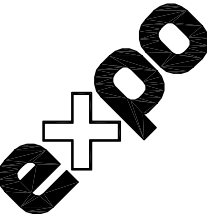
1. With aid of supplied mounting template cut mounting holes into the enclosure. Ensure Control unit and Relief Valve are diagonally opposing.
2. Fix MiniPurge Control Unit to enclosure.
3. Fix Relief Valve to enclosure.
4. Select orifice for required purge flow rate and fit into Spark Arrestor with circlip.
5. Fix Spark Arrestor to enclosure.
6. Connect Output option, /IS or /PO as required, refer to manual.
7. Connect isolated air supply to MiniPurge Control Unit
8. Ensure enclosure door is closed and sealed from leaks.
9. Turn on air supply.
10. Slowly increase Flow Control Valve until Alarm Indicator turns from RED to GREEN.
11. After Purge time has been completed power can be applied to enclosure.
12. All queries refer to manual for assistance in the first instance.

* /PO option shown



APP'D	ISSUE:	1				MATERIAL
	MOD. No:	DRAWN				
CHK'D	DATE:	05/01/04				FINISH
DR'WN	APPROVED:					
CDM	DRAWING STATUS:					

Expo Technologies Limited SURREY KT7 0RH UNITED KINGDOM	
TITLE ZCF/bp QUICK INSTALLATION GUIDE	
JOB No:	CUSTOMER:

	SCALE	NTS
	DRAWING No.	XBR-8TD0-012
	SHEET No.	1 OF 1